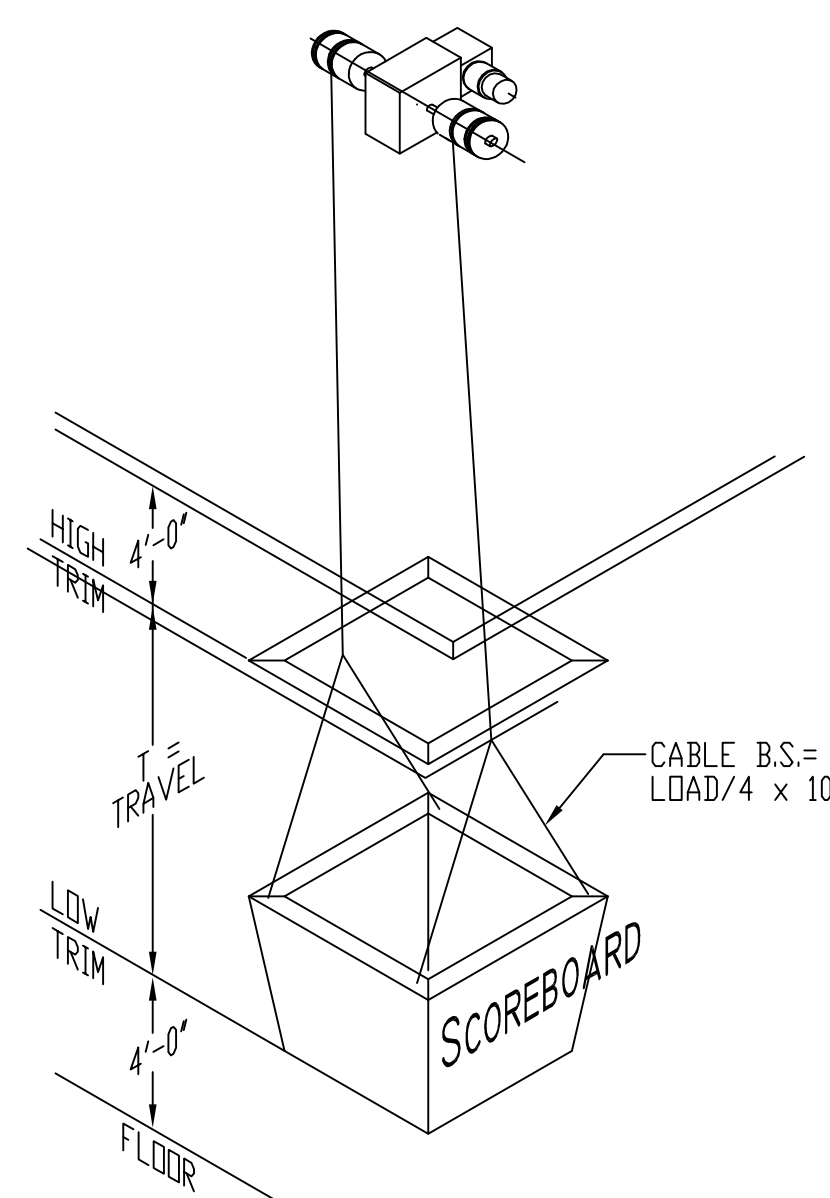
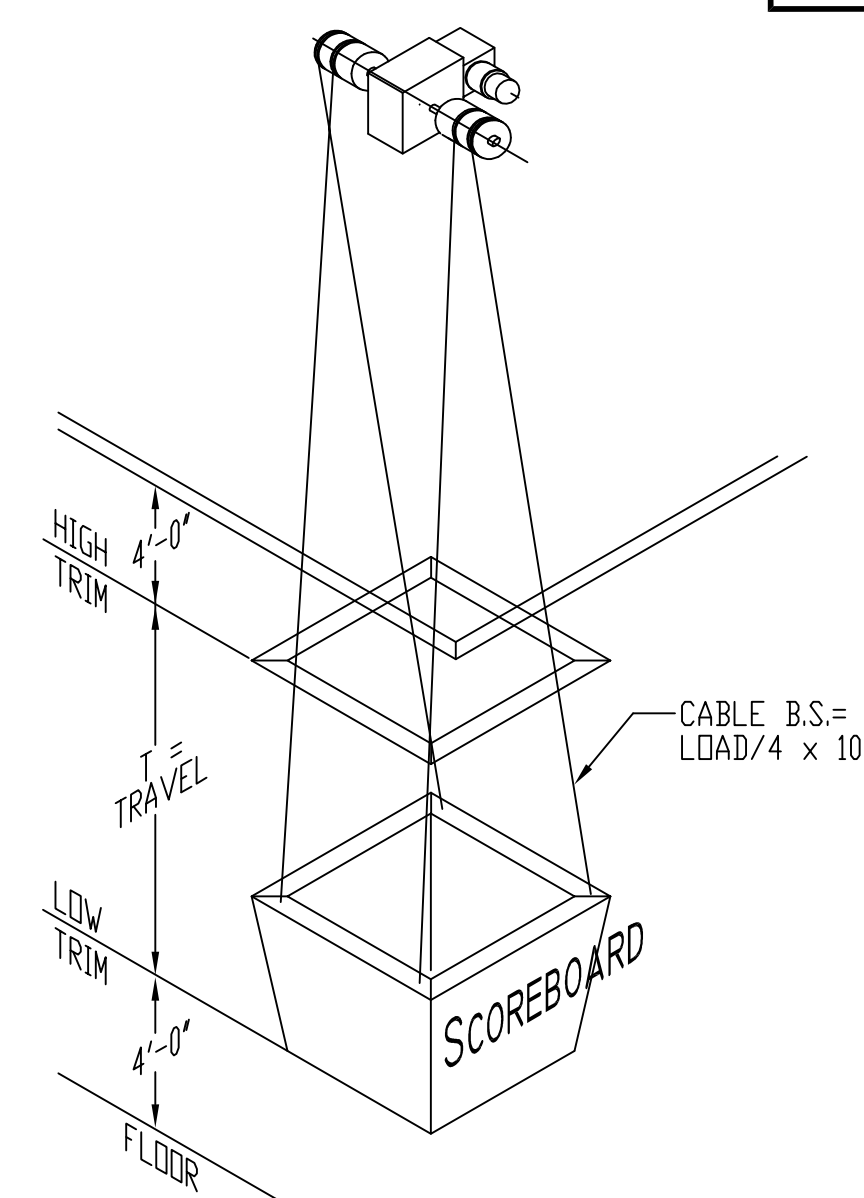


RECORD OF PRINTS				REVISIONS			
DATE	No.	PURPOSE		DATE	No.	PURPOSE	

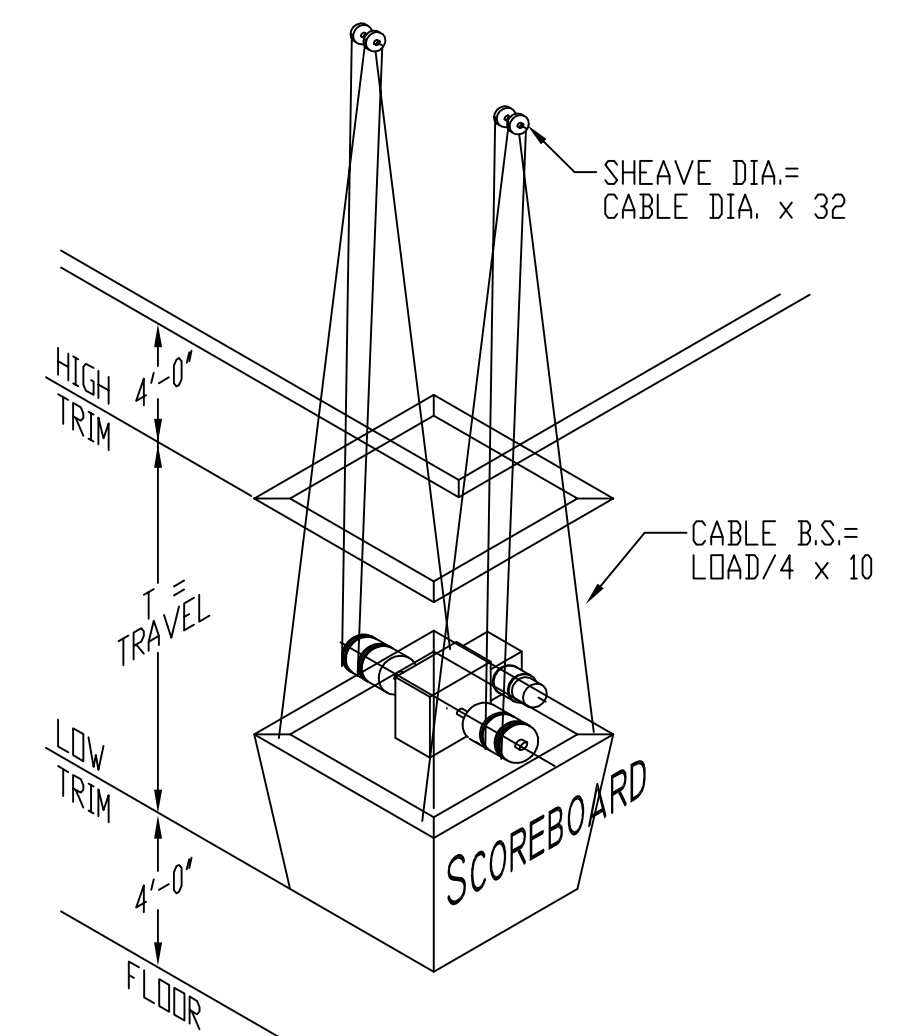
TITLE	VARIOUS RIGGING SCHEMES	
PROJECT		
DRAWING NO.	sht 1 of 1	
RIGGING TYPES		
SCALE	NTS	
DRW'N	JMS	03/11/09
CHK'D		
APPR.		



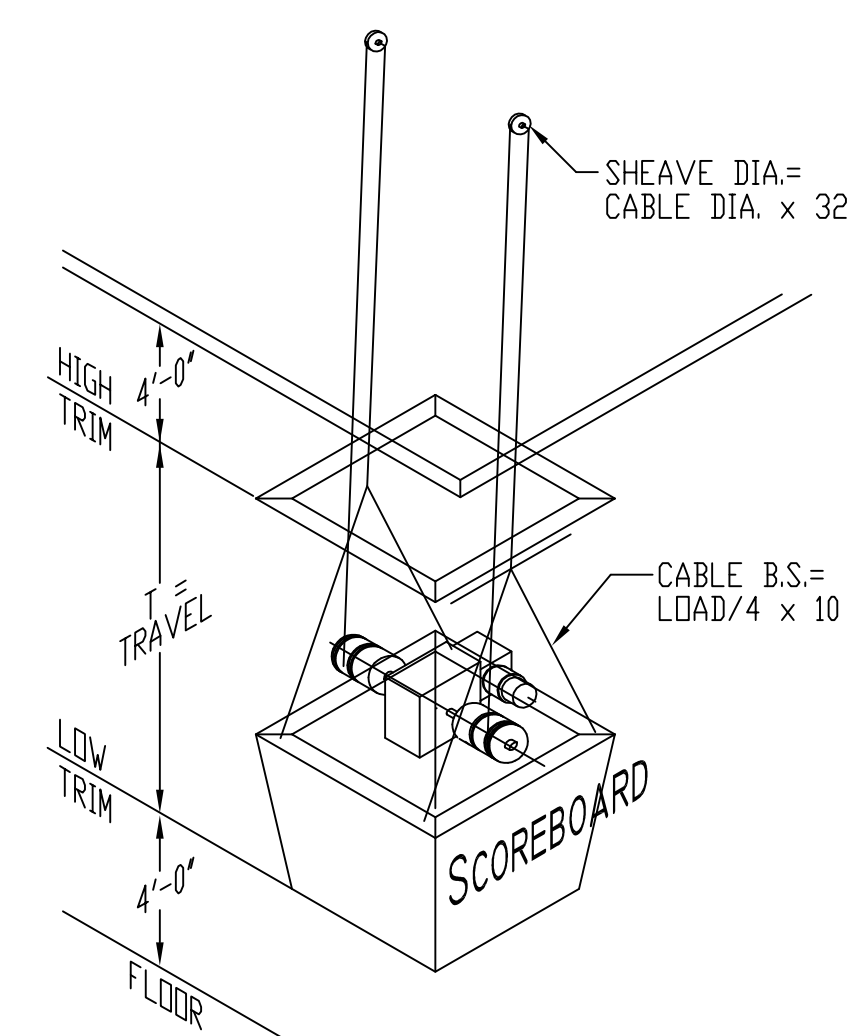
METHOD 1



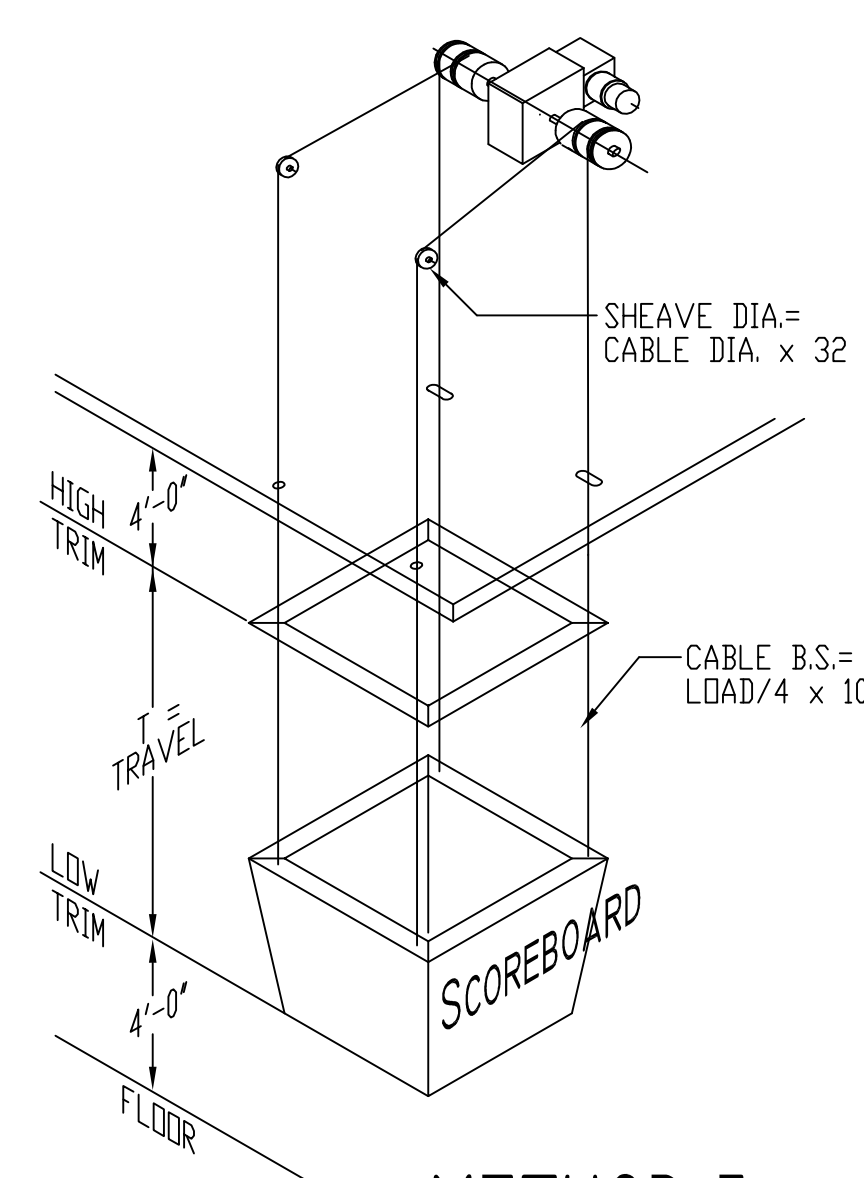
METHOD 2



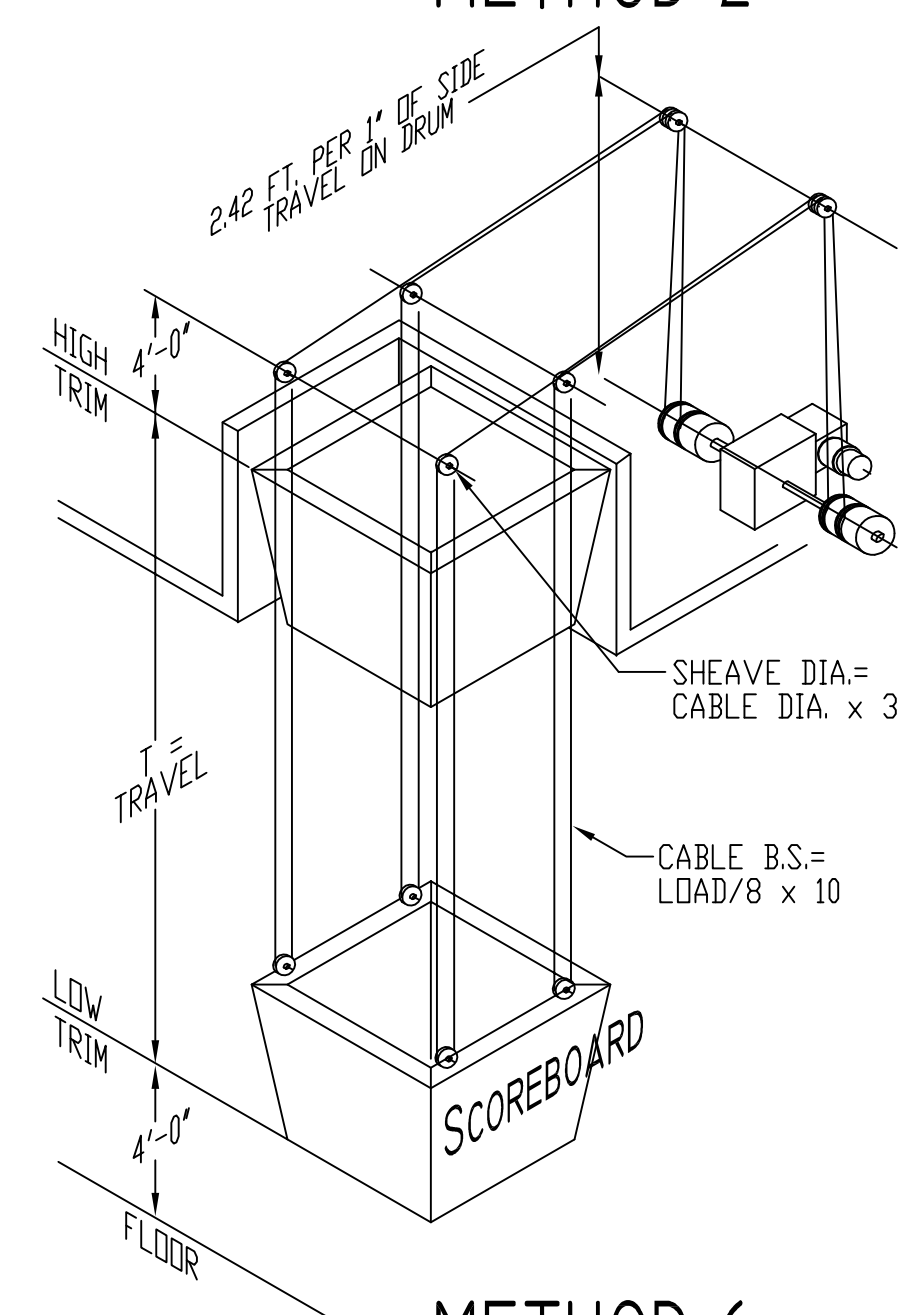
METHOD 3



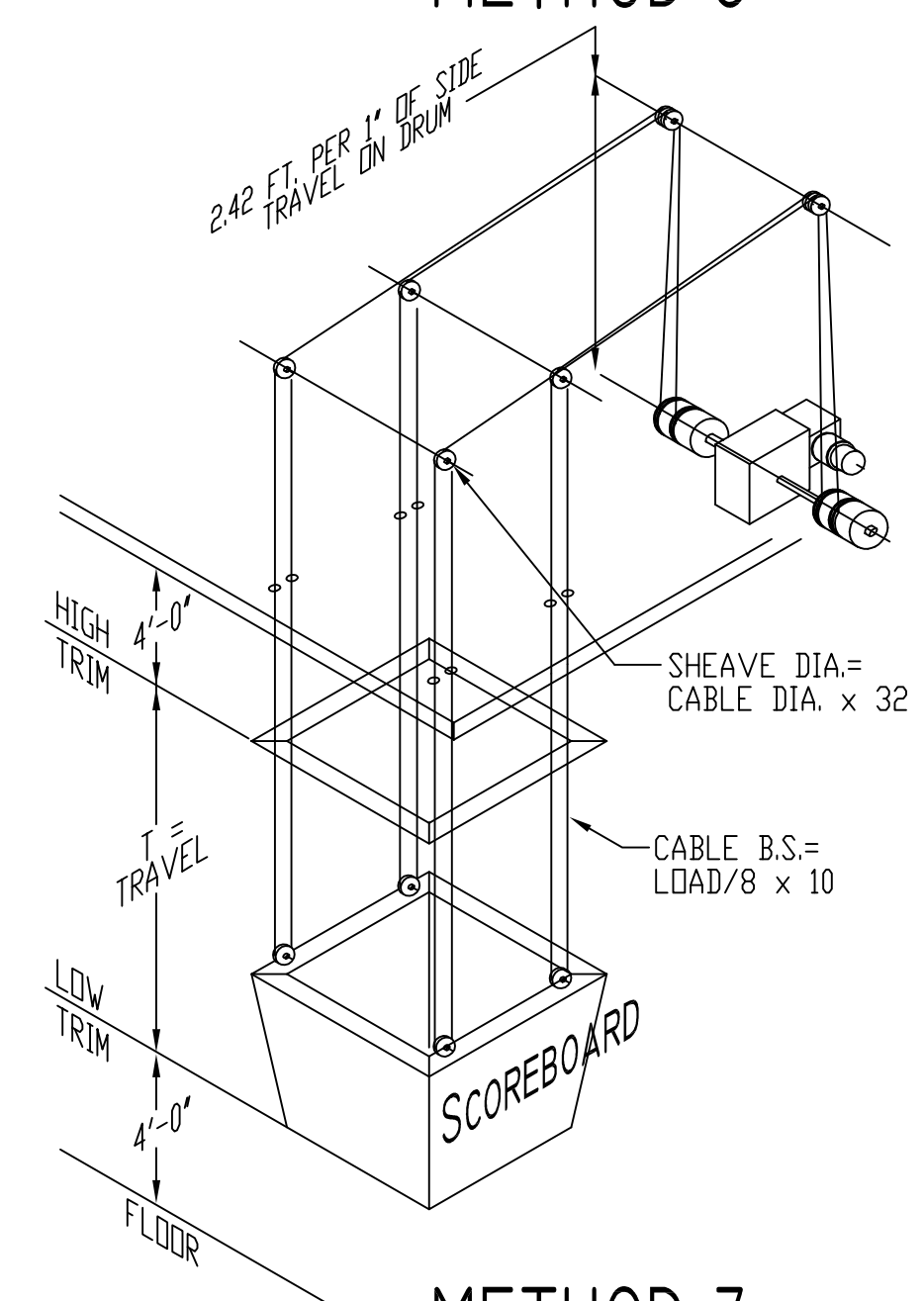
METHOD 4



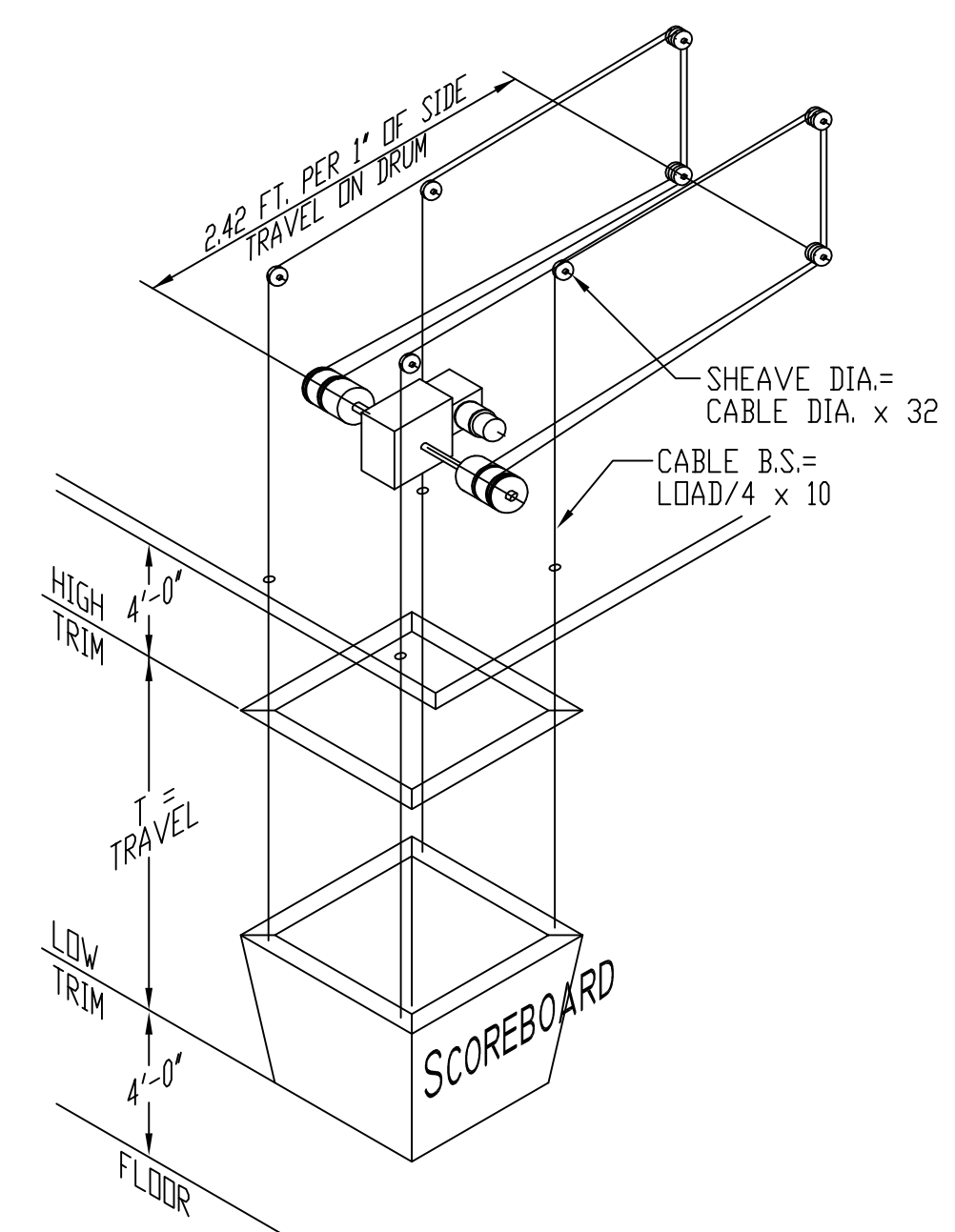
METHOD 5



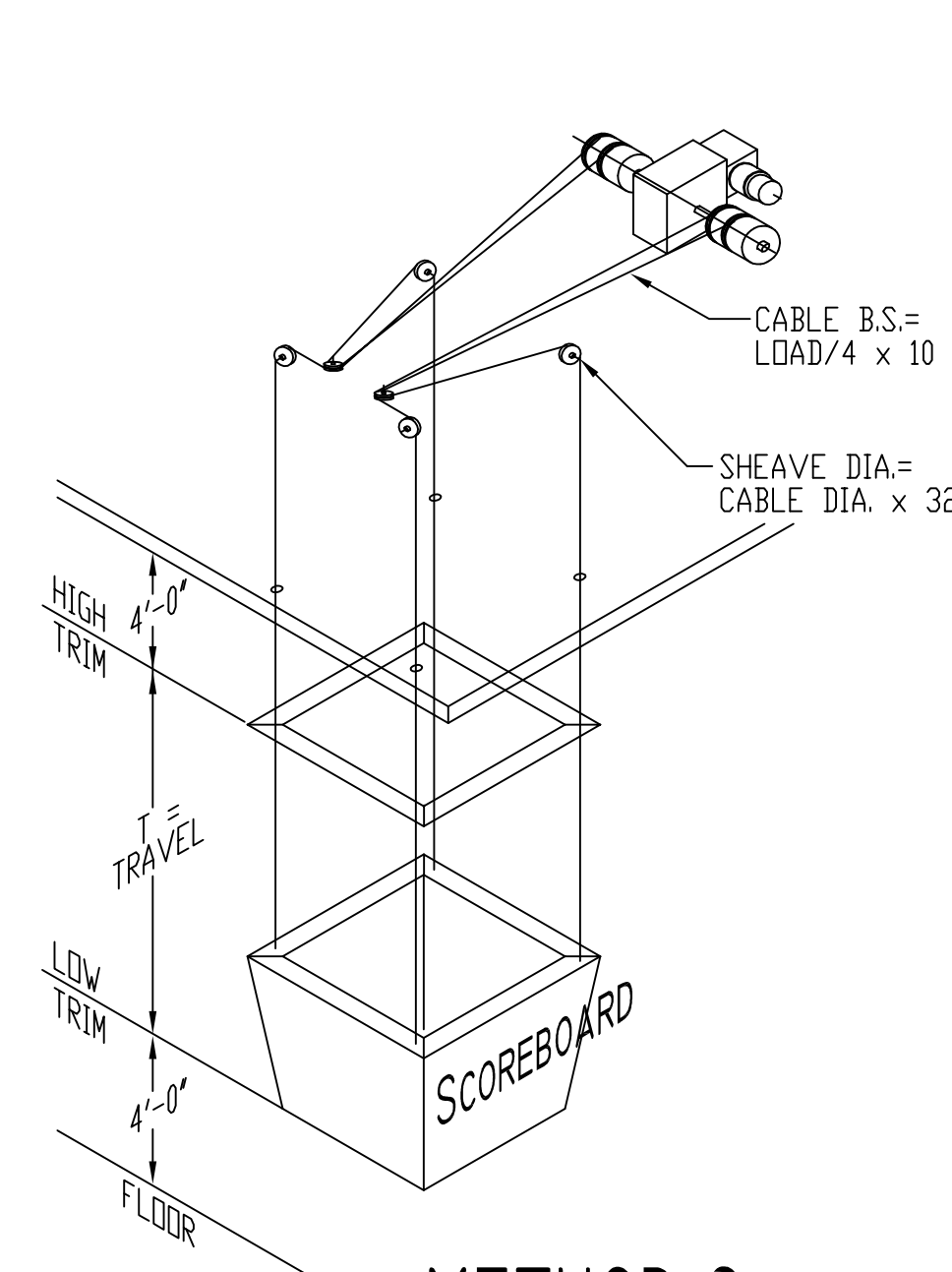
METHOD 6



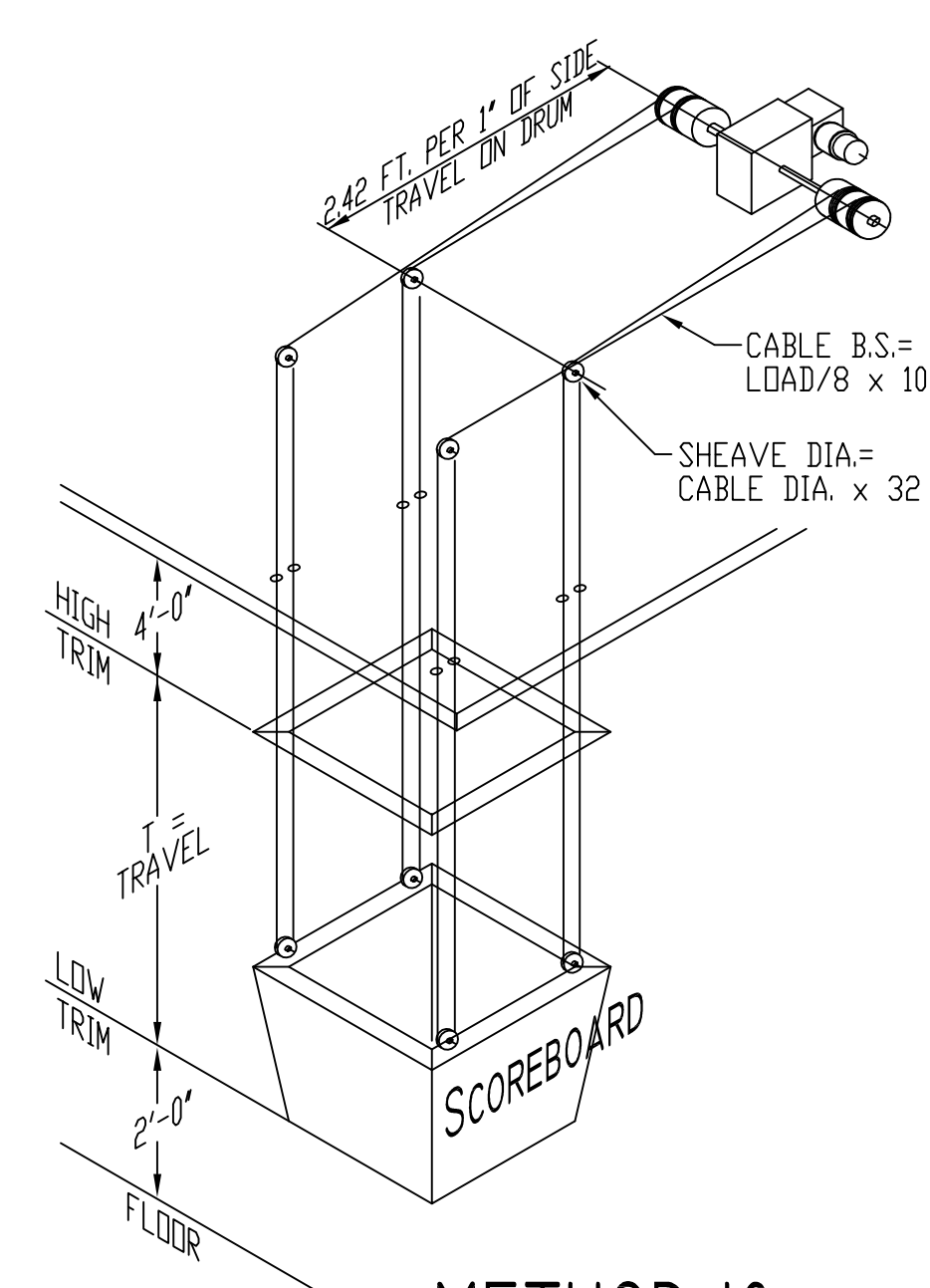
METHOD 7



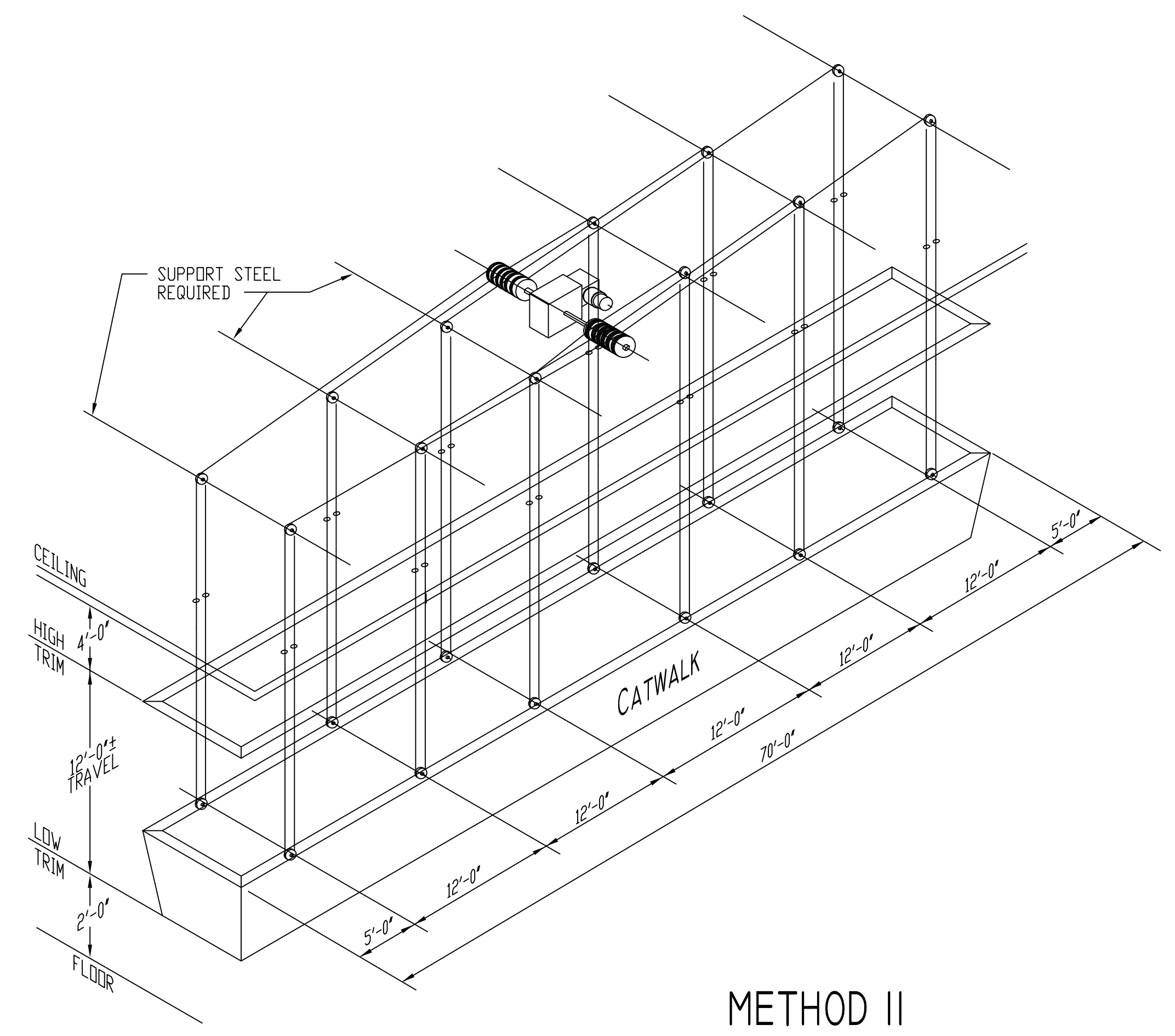
METHOD 8



METHOD 9



METHOD 10



METHOD II

©2009 WOLFRUM LIBRARY SERVICES RIGGING TYPES.dwg, 8/15/2011 10:45:55 AM 11