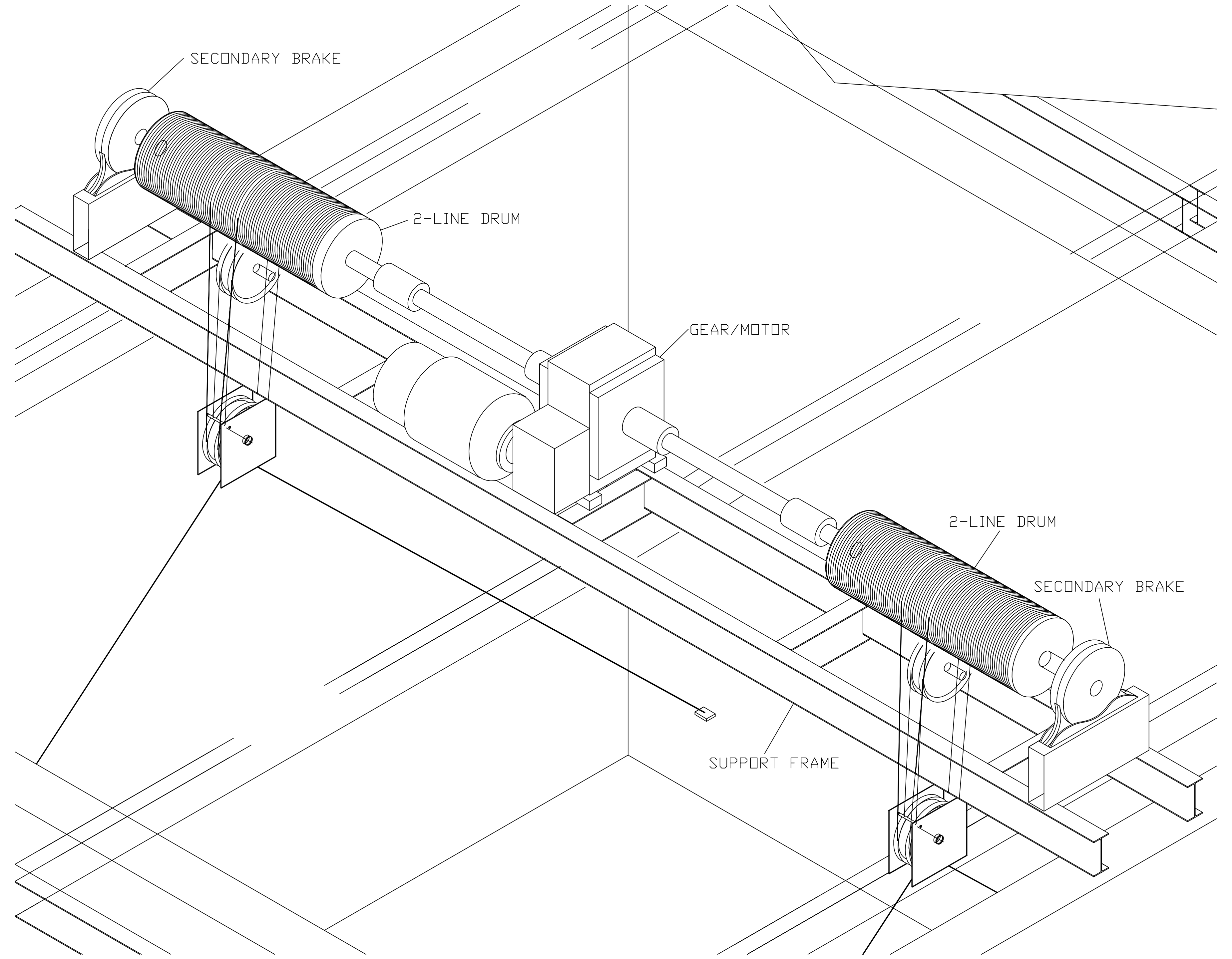
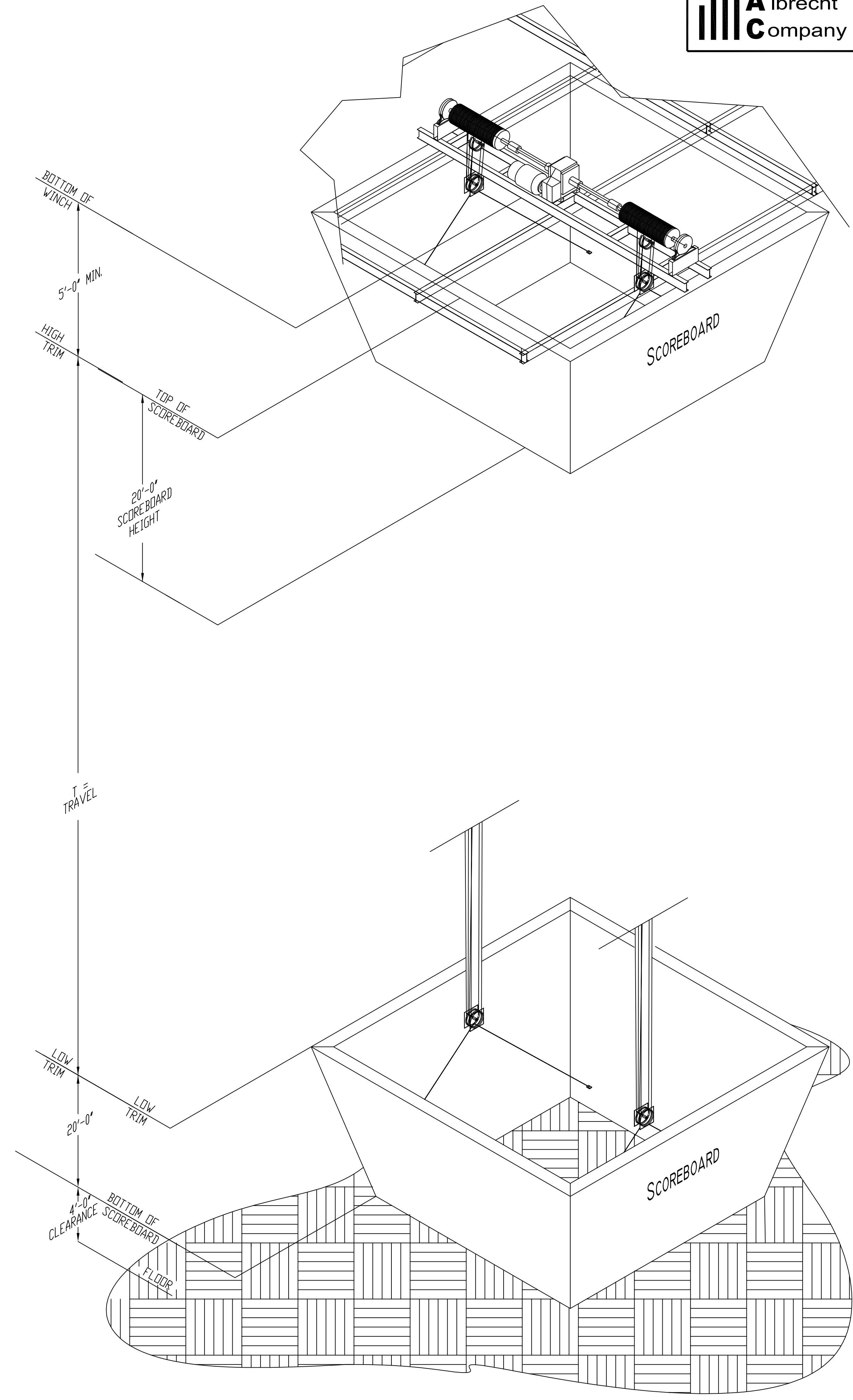


RECORD OF PRINTS				REVISIONS				
DATE	No.	PURPOSE		DATE	MARK	No. OF PAGES	BY	DESCRIPTION

DRAWING NO. SB4L2D3		sht 1 of 1	
TITLE SCOREBOARD LINESHAFT WINCH		2 DRUMS, 4 LINE	
PROJECT		SCALE NTS	
		DRW'N KS,JOC 6/20/03	
		CHK'D	
		APPR.	

SPECIFICATIONS

	SYSTEM	HOIST
LOAD CAPACITY	___ LBS.	___ LBS.
SPEED	___ FPM	___ FPM
TRAVEL	100 FT.	300 FT.
CABLE	___ DIA., ___ x ___	
DRUM DIA.	___ INCHES	
MOTOR HP.	___ HP, ___ RPM	
RIGGING	3 : 1	



ENLARGED VIEW OF HOIST